

DownLED Connection Guide

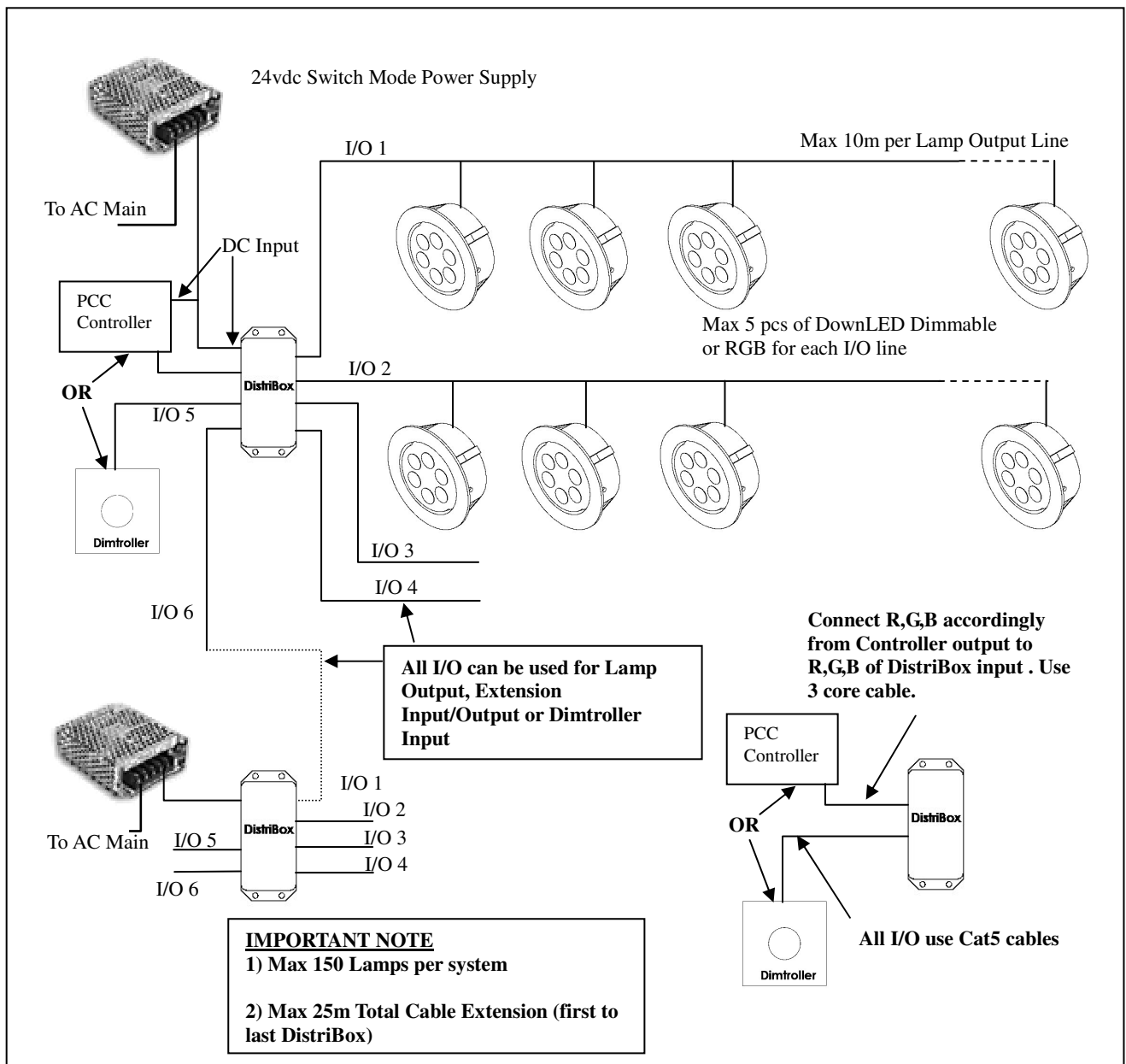
System Requirement

A) DownLED Mono Dimmable

- 1) DownLED Mono Dimmable
- 2) DistriBox 01, min 1 pc
- 3) Dimtroller Mono (for dimming), PCC-8 (for dimming via DMX) or Shorted Plug (for non-dimming), 1 pc max
- 4) Power Supply, one per Distribox

B) DownLED RGB

- 1) DownLED RGB
- 2) DistriBox 01, min 1 pc
- 3) Dimtroller RGB, PCC-3, PCC-51 or PCC-8 (DMX Controller), 1pc max
- 4) Power Supply, one per Distribox



Prime Light Pte Ltd reserves the right to change specification without prior notice.