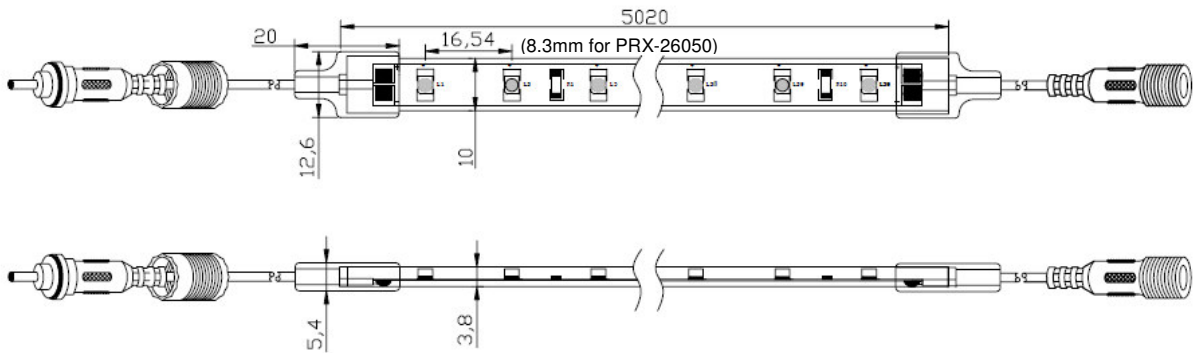


Features & Applications

- Utilizes quality SMD LED to ensure high brightness and color consistency.
- Coated with epoxy and fitted with IP65 connectors for waterproof protection.
- Flexible to suit different contour surfaces.
- Comes complete with 3M pressure sensitive adhesive tape for easy installation.
- Applicable for cove, signage, bar top, wall washing, architecture and special effect lightings.



Dimensions



Product Specifications

Models	PRX-23050WE	PRX-26050WE
Total Number of LED (5m length)	300	600
Types of LED	SMD 3528	
LED Viewing Angle	120 deg	
LED Luminous Flux (per LED)	2.3 lm (white colour)	
Nominal Operating Voltage	12 vdc	24vdc
Power Consumption	4.8 W/m. Max: 24 W/5m reel	9.6W/m. Max: 48W/5m reel
Colour Options	Day Light, Warm White, Amber, Red, Green, Blue	
Estimated Lamp Life	50,000 hrs	
Mounting	3M Pressure Sensitive Adhesive Tape or Plastic Clips	
PCB colour	Brown / White	White
Standard Length Per Reel	5000mm	
Operating Temperature	-5 ~+ 30 deg C	

Models

PRX-2YY50WE

YY	30,60	30: 300 LED/5m reel, 60: 600 LED/5m reel
X	Alphabet depicts LED colour	B: Day Light, E: Warm White, R: Red, G: Green, L: Blue, Y: Amber

Prime Light Pte Ltd reserves the right to change the specification without prior notification.