

Features & Applications

PCC-51 Color Touch is a simple yet versatile controller capable of producing speed controllable colour changing effects, static colours and intensity control. It can deliver millions of colors to about 100 watt of RGB lamps.

Dimensions



Product Specifications

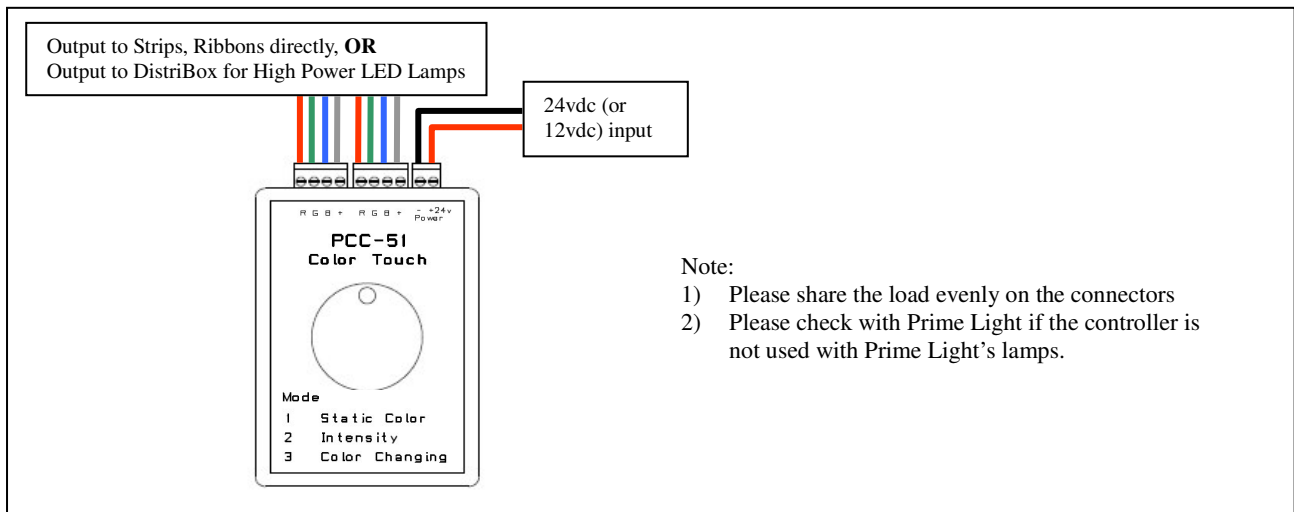
Input Voltage	24 VDC (or 12 VDC)
Output Voltage	Same as Input Voltage
Power Output	110W for 24VDC Input 55W for 12VDC Input
Housing Material	ABS

Modes

User can easily change to the next mode by pressing the dial knob.

1. Static Colour – the controller display the different spectrum of static colours.
2. Intensity setting for Static Colour
3. Colour Changing – the colour changing speed is controllable

Connection



- Note:
- 1) Please share the load evenly on the connectors
 - 2) Please check with Prime Light if the controller is not used with Prime Light's lamps.