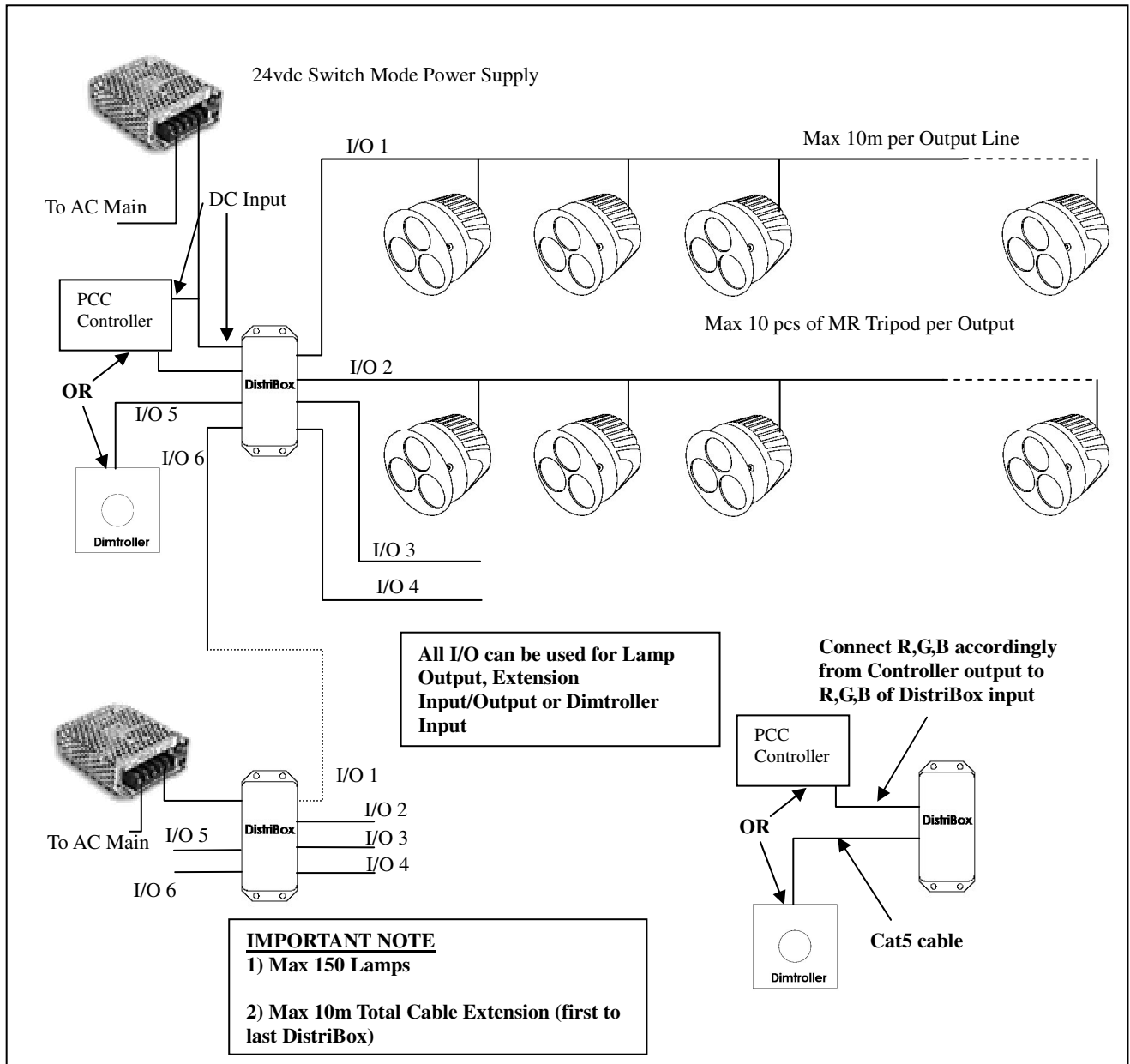


MR Tripod Mono Connection Guide

System Requirement

A) MR Tripod Mono Dimmable

- 1) MR Tripod Mono
- 2) DistriBox 01, min 1 pc
- 3) Dimtroller Mono (for dimming) or PCC-8 (for dimming via DMX) or Shorted Plug (for constant on), 1 pc max
- 4) Power Supply, one per Distribox



Prime Light Pte Ltd reserves the right to change specification without prior notice.