

LEDBar Classic Connection Guide

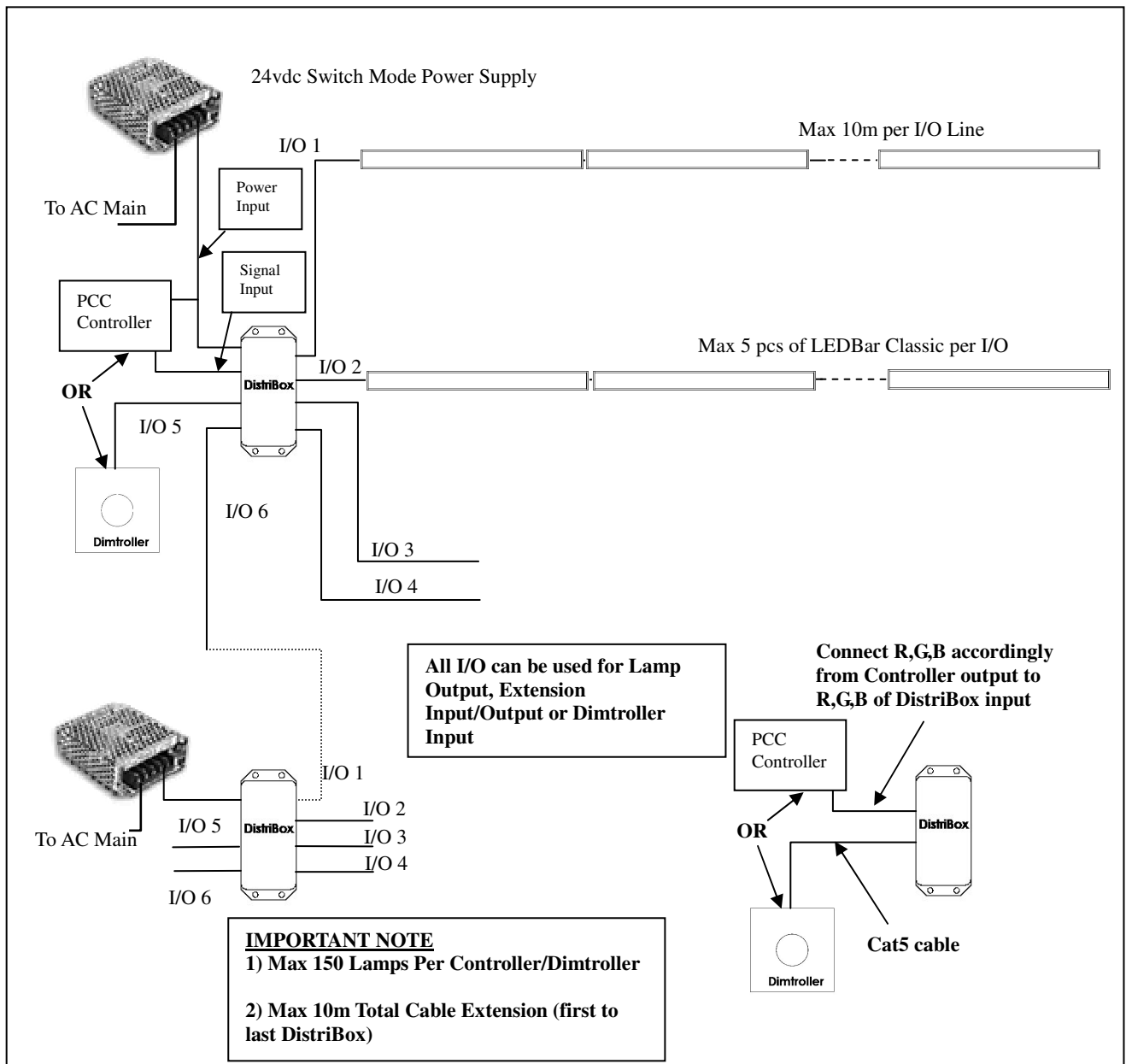
System Requirement

A) LEDBar Classic Mono Dimmable

- 1) LEDBar Classic Mono Dimmable
- 2) DistriBox 01, min 1 pc
- 3) Dimtroller Mono (for dimming), PCC-8 (for dimming via DMX) or Shorted Plug (for constant on), 1 pc max
- 4) Power Supply, one per Distribox

B) LEDBar RGB

- 1) LEDBar RGB
- 2) DistriBox 01, min 1 pc
- 3) Dimtroller RGB, PCC-3, PCC-51 or PCC-8 (DMX Controller), 1pc max
- 4) Power Supply, one per Distribox



Prime Light Pte Ltd reserves the right to change specification without prior notice.